

# FD 68 Custom on 1 1/2" Concrete Topping and Flooring

**Step 1.** Please fill in the all Ht. dimensions to the left, including "Flooring Thickness."

**Step 2.** Trace the desired panel configuration below with heavy lines.

**Step 3.** Fill in the width dimensions below.

**Step 4.** Fill in specifications below.

**Step 5.** Complete the title block below, sign, date and return.

**Specifications**

Room Label \_\_\_\_\_

Glass \_\_\_\_\_

Species \_\_\_\_\_

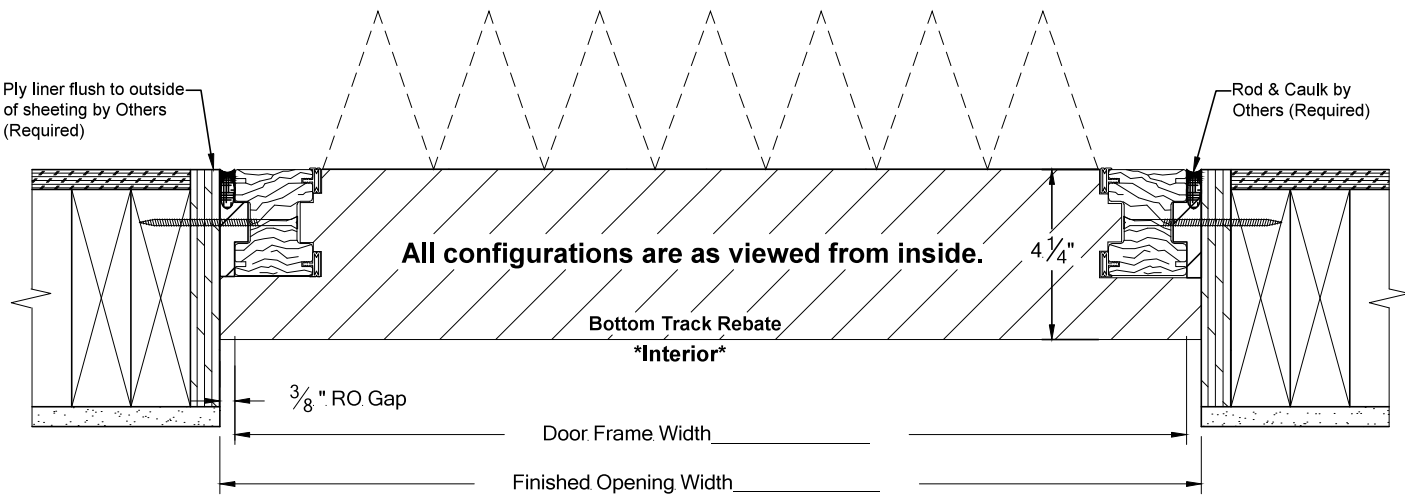
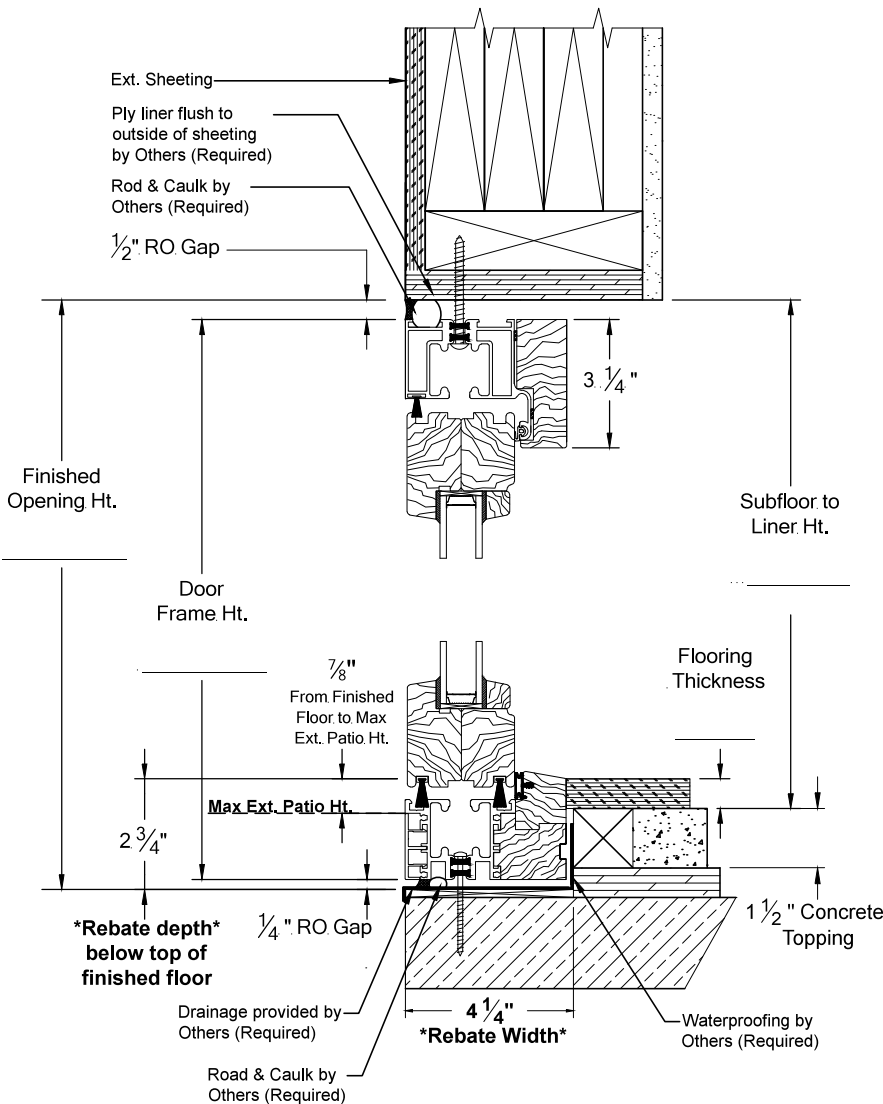
Int. Color \_\_\_\_\_

Ext. Color \_\_\_\_\_

Handle Color \_\_\_\_\_

PG Rating \_\_\_\_\_

U Value \_\_\_\_\_



## Folding Sliding Doors Canada Ltd.

# 105-1155 St. Paul Street  
Kelowna BC  
email: sales@foldingdoors.ca  
Ph 250 448-6418 Fx 448-6444

Client			
Job Name			
I hereby confirm the above dimensions and configuration to be correct.			
Accepted by	Print		
	Sign		
	Date		
Not to Scale	Quote No.	Invoice No.	