

# FD 27 on Typical Wood Subfloor

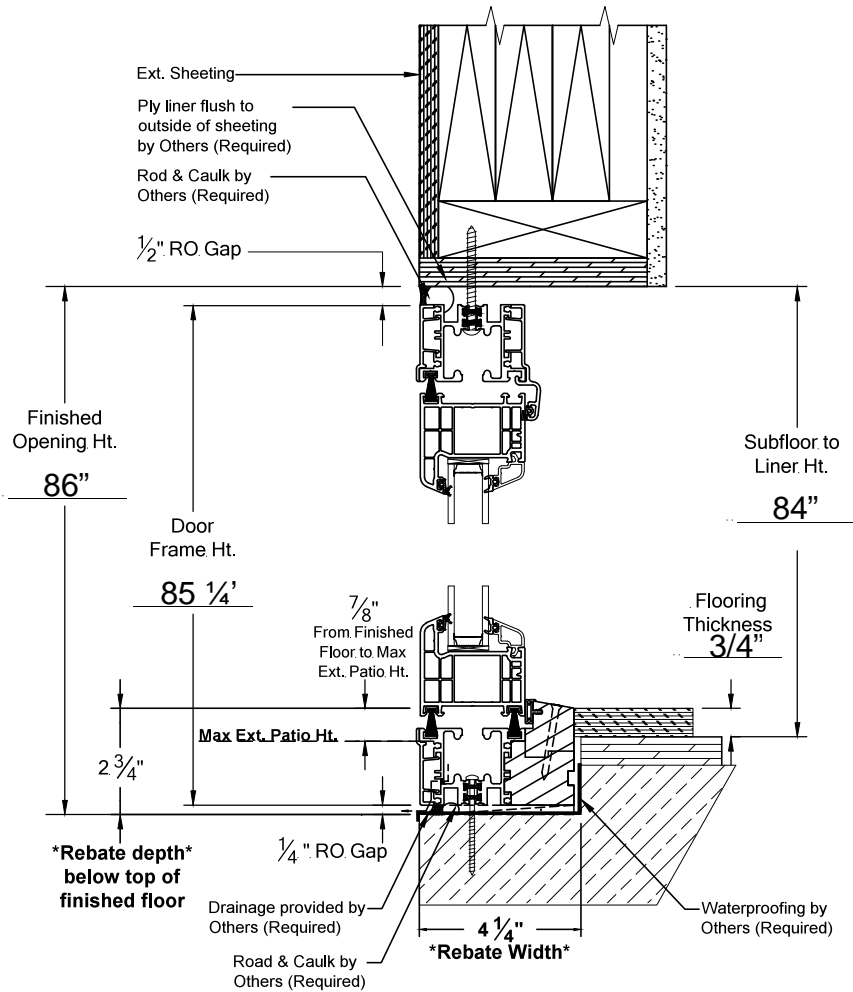
**Step 1. Please fill in the all Ht. dimensions to the left, including " Flooring Thickness."**

**Step 2. Trace the desired panel configuration below with heavy lines.**

**Step 3. Fill in the width dimensions below.**

**Step 4. Fill in specifications below.**

**Step 5. Complete the title block below, sign, date and return.**



**Specifications**

Room Label Unit 1 (uP'

Glass Cardinal LOE 36t

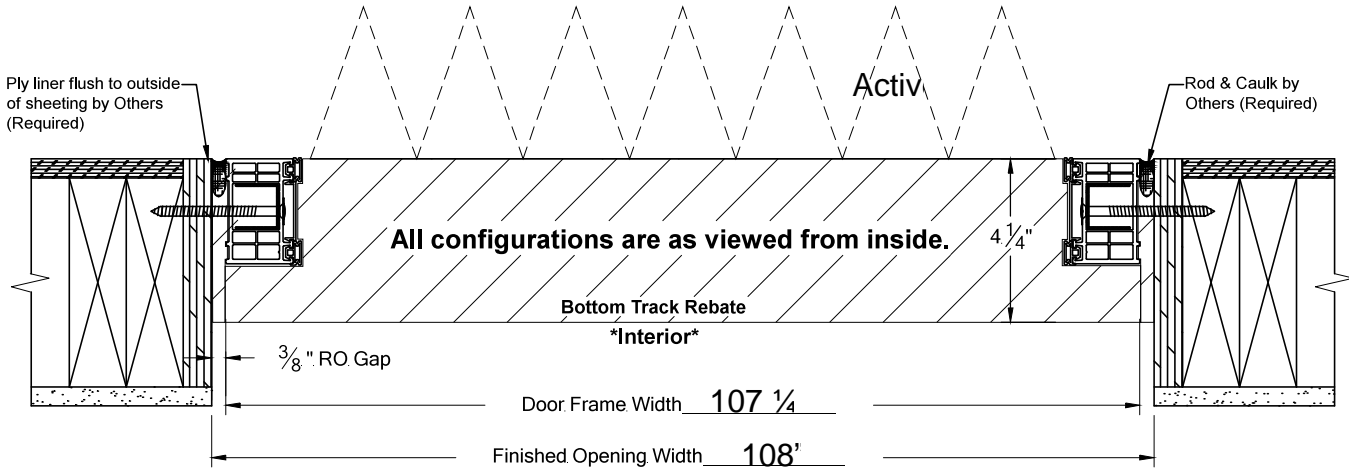
Ext. Color Stock Blk

Int. Color Stock Wt

Handle Color Blac

PG Rating 30

U Value 1.60



## Folding Sliding Doors Canada Ltd.

# 105-1155 St. Paul Street  
Kelowna BC  
email: sales@foldingdoors.ca  
Ph 250 448-6418 Fx 448-6444

Client	Home Hardware Kelow		
Job Name			
I hereby confirm the above dimensions and configuration to be correct.			
Accepted by Print			
Sign			
Date			
Not to Scale	Quote No.	Invoice No.	