

FD 72 Custom on Concrete Subfloor W/ Wood Flooring

Step 1. Please fill in the all Ht. dimensions to the left, including " Flooring Thickness."

Step 2. Trace the desired panel configuration below with heavy lines.

Step 3. Fill in the width dimensions below.

Step 4. Fill in specifications below.

Step 5. Complete the title block below, sign, date and return.

Specifications

Room Label _____

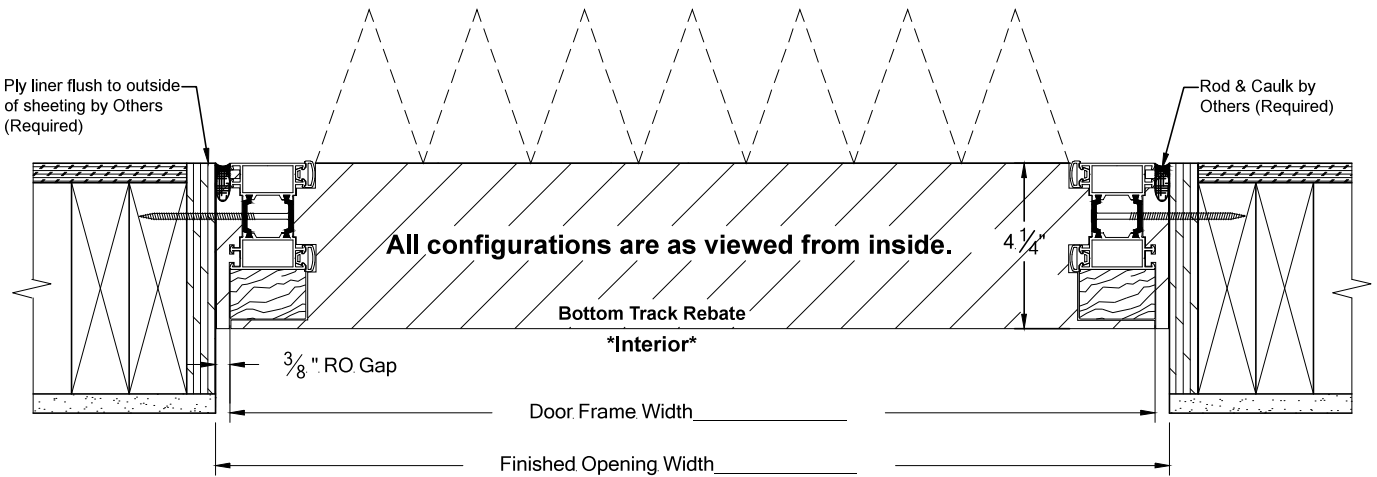
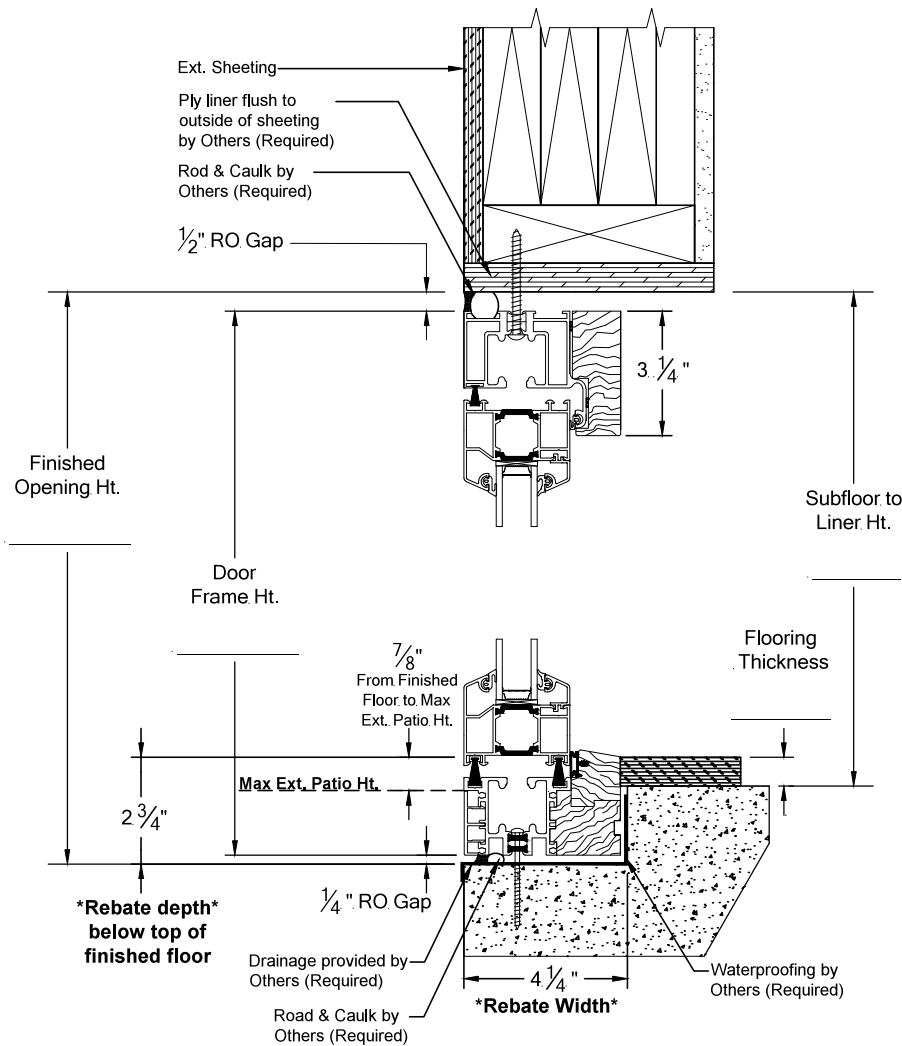
Glass _____

Color _____

Handle Color _____

PG Rating _____

U Value _____



Folding Sliding Doors Canada Ltd.

105-1155 St. Paul Street
Kelowna BC
email: sales@foldingdoors.ca
Ph 250 448-6418 Fx 448-6444

Client _____

Job Name _____

I hereby confirm the above dimensions and configuration to be correct.

Accepted by Print _____

Sign _____

Date _____

Not to Scale

Quote No. _____

Invoice No. _____