

FD 27 on Typical Concrete Subfloor W/ Flooring

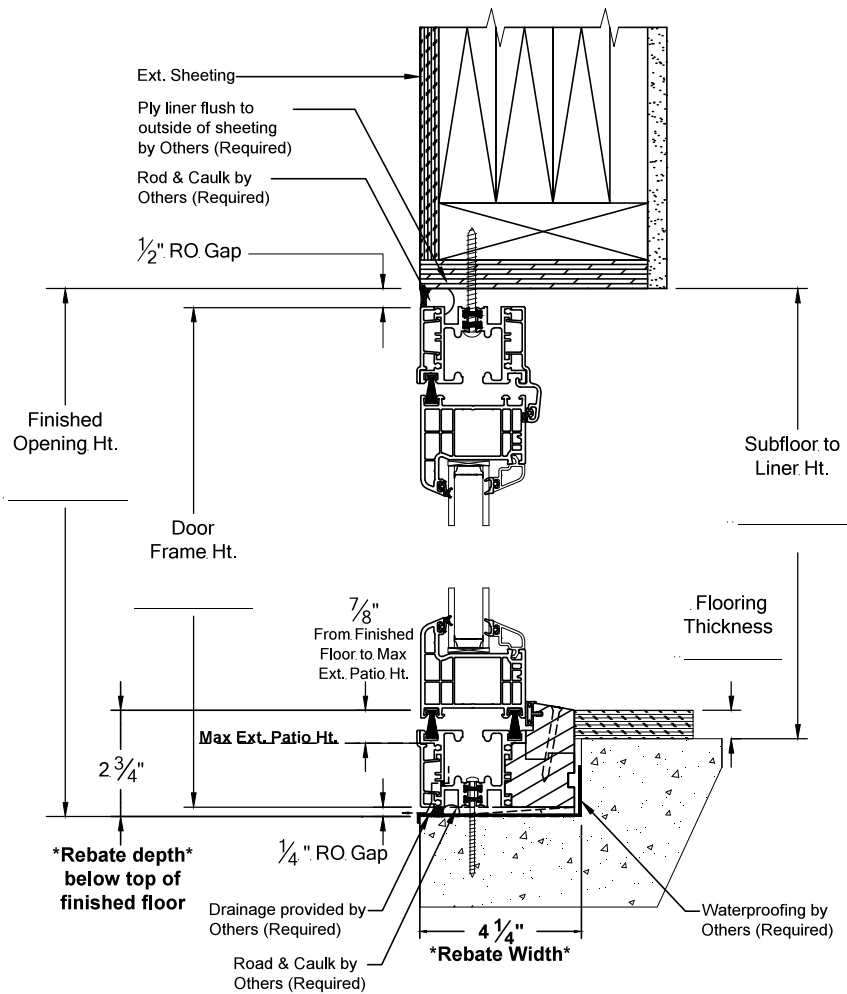
Step 1. Please fill in the all Ht. dimensions to the left, including " Flooring Thickness."

Step 2. Trace the desired panel configuration below with heavy lines.

Step 3. Fill in the width dimensions below.

Step 4. Fill in specifications below.

Step 5. Complete the title block below, sign, date and return.



Specifications

Room Label _____

Glass _____

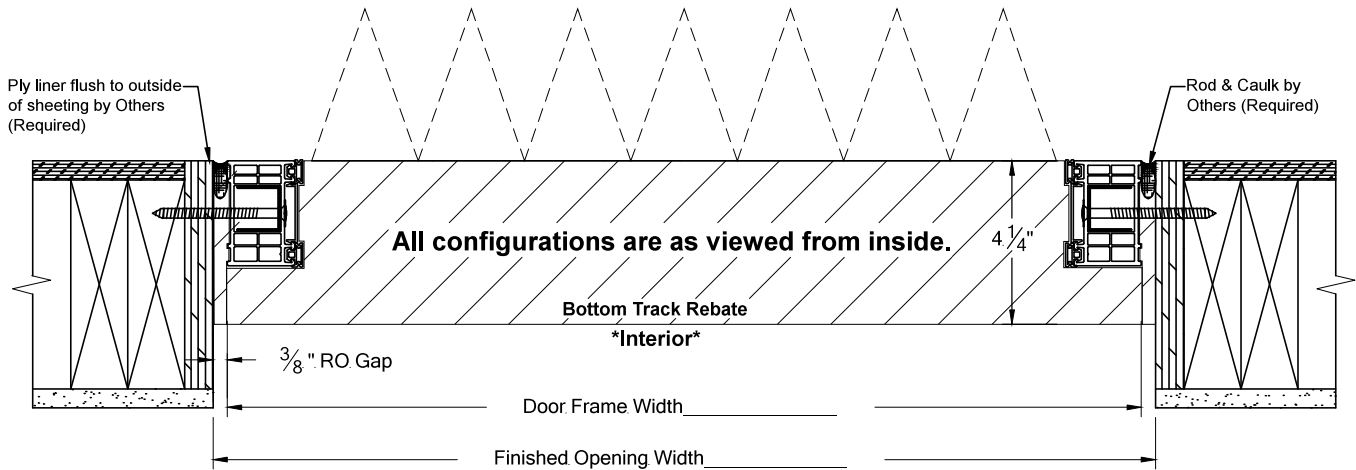
Ext. Color _____

Int. Color _____

Handle Color _____

PG Rating _____

U Value _____



Folding Sliding Doors Canada Ltd.

105-1155 St. Paul Street
Kelowna BC
email: sales@foldingdoors.ca
Ph 250 448-6418 Fx 448-6444

Client			
Job Name			
I hereby confirm the above dimensions and configuration to be correct.			
Accepted by	Print		
	Sign		
	Date		
Not to Scale	Quote No.	Invoice No.	